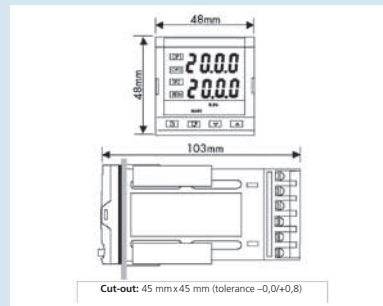


Control units and sensors

E.T.R. 48-24

Digital temperature control unit



Ideal for regulating temperatures of BAK air heaters
The model E.T.R. is a multifunctional PID temperature control unit in 1/16 DIN size (48x48 mm) or 1/32 DIN size (48x24 mm) with self-optimisation.

Exact regulation

A reliable PID control algorithm enables a stable "straightforward" regulation of the process.

Universal input

The universal input circuit of the E.T.R. is provided with an analogue-to-digital converter.

This converter scans the input with 9 Hz and constantly corrects the drift. That ensures high process stability and enables fast reactions to changes.

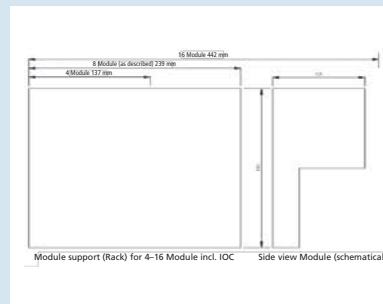
Easy operation

A bright, clearly visible LED display shows the actual value and the error message. The nominal value can be changed by pressing the +/- buttons.

Digital communication (optional)

The RS485, RS422 or RS232 communication interface supports Modbus®, DeviceNet®.

Multi-channel PID control unit



Ideal when using several control circuits in one installation

The system E.T.R 2500 is an intelligent, local E/A system with a high computing power, highest precision and high functionality with progressive functions, such as PID regulation with self-optimisation. The system

communicates by means of a Modbus™ or Profibus™ Master. It can be used for signal processing, alarm handling and local data collection or regulation for master systems and PC-controlled SCADA packages and SPS'n.

Our special brochure for control units is available on request!