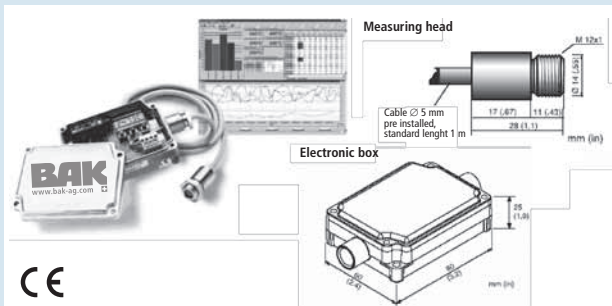


IR temperature probe



- Miniature gauge head for installations in narrow spaces
- Ambient temperatures up to 85 °C without cooling
- Five-digit LCD display with background lighting
- 3 control inputs for configuration switching
- Emission of two temperature-measuring signals (gauge head and measuring object temperature)
- Replaceable gauge heads
- Accessories for cooling and air flushing
- RS232 or RS485 interface optional

Item No.	Description
10HD.1	ETR digital regulation with logic output
On request	Multi-channel control unit E.T.R. 2500; 4 and 8 channels; extendable up to a maximum of 64 channels
On request	Touch panel for visualising the application of the multi-channel regulator E.T.R. 2500
5202110	Air flow monitor M2 compact (DC), TEACH IN, 3 m/s 24 V DC, short-circuit-proof, PNP-S, incl. 2 m cable and assembly flange
5106956	Thermocouple measuring probe with plug, 2 m cable
5106957	Thermocouple cable per meter
On request	IR temperature probe with gauge head and signal box, 1 m cable

Accessories

Air volume control



Manual air volume control for connection to blower flange on pressure side of **BAK** high and medium-pressure blowers.

Item No.	Description
5108755	Manual air volume control for 38/40 mm hose
5107295	Manual air volume control for 60/62 mm hose



Pneumatic air supply shut-off mechanism for connection to blower flange on pressure side of **BAK** high and medium-pressure blowers.

Item No.	Description
5107299	Pneumatic air supply shut-off mechanism for 38/40 mm hose
5107296	Pneumatic air supply shut-off mechanism for 60/62 mm hose